



Type VC64
DN 50 – 1000
PN16-PN 100

Gate Valve

Butt-Welded, Flanged

Data Sheet

Edition: EN 9 / 2014

© VCEN VALVE CO.,LTD.
Anfeng industrial zone, Oubei, Zhejiang, China
T: +86 67969666, F: +86 67988805
E: vcen@vcenvalve.com, W: www.vcenvalve.com

We focus on quality
www.vcenvalve.com

Application

- Wedge gate valves are designed for general use pipelines in industrial systems, for the second group of fluids.
- They are designed to cut off the flow of industrial water, drinking water, steam, air.
- They are also used in chemical industry (for non aggressive and non toxic liquid and gas substances), petrochemical and refinery industries, coke and chemistry industry (coke-oven gas), extractive industry, mining industry, mining and metallurgical industry (post-floatation wastes).

Technical description

- Rising, non rotating stem
- Valve opening is provided slowly, with gradual suspension of the stroke, to prevent hydraulic and thermal shocks in the valve
- Shutt-off valves can be operated in position open-close, throttling valve can be operated also in an intermediate position

Requirements and testing

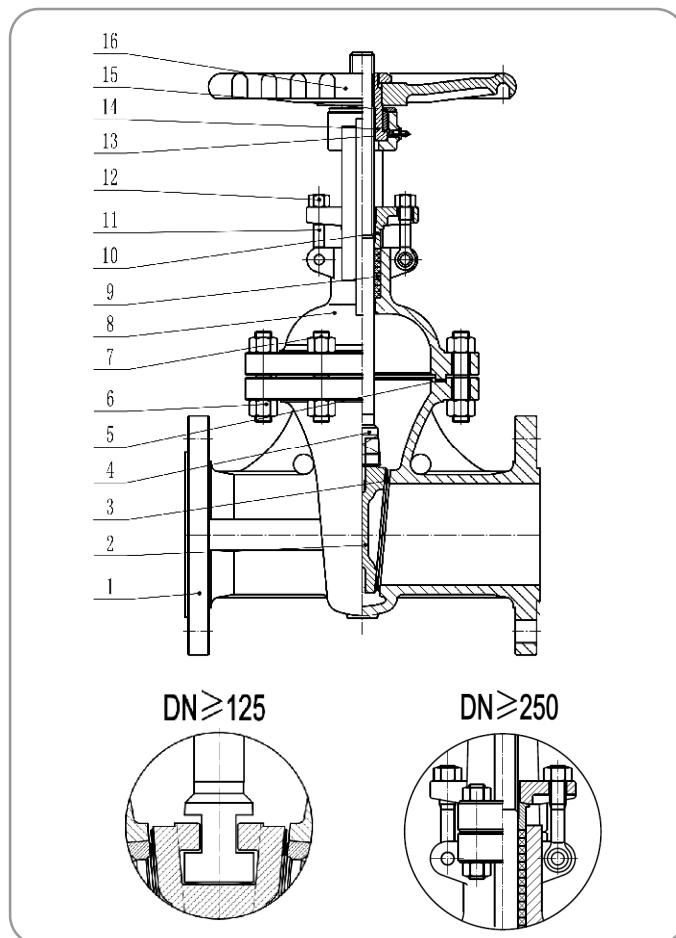
- The tests are carried out acc.to DIN EN12266-1
shell test : nominal pressure (PN)X1.5
Tightness of seat : nominal pressure (PN)X1.1
- Certificate of conformity in acc. with PN-EN 10204.
Design acc. to PN-EN 12516-2.
- Valves have been submitted for appraisal of conformity according to the directive Pressure Equipment Directive 97/23/EC.

Installation

- They can be installed on pipelines in a vertical or horizontal and operating only when fully open or closed

Connection

- Butt-welded according to EN-12627, flanged according to EN1092-1 or to customer request
- Face to face dimensions according to EN-558-1 15 Series, 26 Series(DIN 3202 F5 F7 Series)



Operation

- Hand wheel (if required)
- Electric actuator
- Gear box
- Flange ISO 5210 (ready for actuator)

Copyright

All rights reserved. No content provided herein may be copied, distributed or otherwise reproduced without previous written approval of the company
YONGJIA VCEN VALVE CO.,LTD

© VCEN VALVE CO.,LTD CHINA 2014

Contact

VCEN VALVE CO.,LTD
Anfeng Industrial Zone,Oubei
Town,Yongjia County Wenzhou
City,Zhejiang Province,China

T: +86 6796 9666
F: +86 6798 8805
E: vcen@vcenvalve.com
W: www.vcenvalve.com

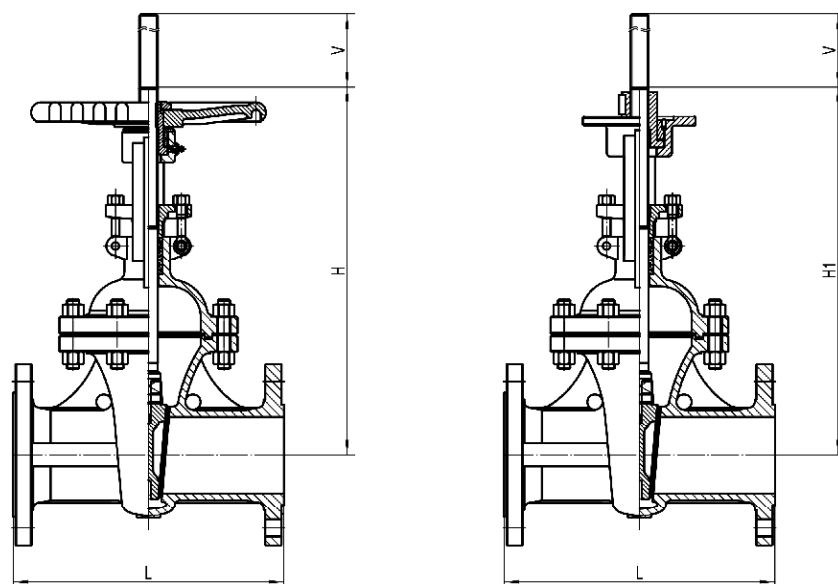
Materials of main parts

Pos.	Name	Material
1	Body	1.0619 (A216 WCB), 1.7357 (A217 WC6), 1.4408 (A351 CF8M)
2	Wedge	1.0619 (A216 WCB), 1.7357 (A217 WC6), 1.4408 (A351 CF8M)
3	Seat	13Cr, STL6
4	Stem	X20Cr13, F316,
5	Gasket	Graphite + stainless steel
6	Nut	A194 2H,A194 4,A194 8M
7	Blot	A193 B7,A193 B16,A193 B8M
8	Bonnet	1.0619 (A216 WCB), 1.7357 (A217 WC6), 1.4408 (A351 CF8M)
9	Packing	Graphite
10	Gland	1.0619 (A216 WCB), 1.7357 (A217 WC6), 1.4408 (A351 CF8M)
11	Eyelet bolt	A193 B7,A193 B16,A193 B8M
12	Nut	A194 2H,A194 4,A194 8M
13	Grease nipple	Cu alloy
14	Stem nut	GGG40.3;Cu alloy
15	Screw	C.S,SS316
16	Handwheel	C.S

P-T data

Materiál	PN	Pracovní tlak MPa / Pracovní teplota °C													
		100	150	200	250	300	350	400	425	450	500	525	550	575	595
1.0619 (A216 WCB)	16	1.36	1.27	1.14	1.04	0.94	0.88	0.84	-	-	-	-	-	-	-
	25	2.13	1.98	1.78	1.62	1.47	1.37	1.32	-	-	-	-	-	-	-
	40	3.41	3.17	2.84	2.60	2.35	2.19	2.11	-	-	-	-	-	-	-
1.4408 (A351 CF8M)	16	1,33	1,2	1,1	1,02	0,96	0,91	0,87	0,86	0,86	0,83	-	-	-	-
	25	2,07	1,87	1,72	1,6	1,5	1,42	1,36	1,35	1,34	1,3	-	-	-	-
	40	3,32	2,99	2,75	2,56	2,41	2,27	2,18	2,16	2,14	2,08	-	-	-	-
1.7357 (A217 WC6)	16	1,63	1,58	1,49	1,43	1,33	1,23	1,15	1,11	1,07	0,89	0,68	0,35	0,28	0,2
	25	2,54	2,48	2,33	2,23	2,08	1,93	1,8	1,73	1,67	1,39	1,06	0,55	0,43	0,32
	40	4,07	3,96	3,74	3,57	3,33	3,09	2,89	2,77	2,67	2,23	1,7	0,88	0,69	0,52

Note: the temperature not listed in the table is selected by linear interpolation method.



Dimensions

PN	DN	L mm	H mm	V mm	Weight kg		H1 mm	Torque Nm	Top flange ISO 5210
					FL	BW			
16	50	250	358	70	22	17	365	25	F10
	65	270	375	83	32	27	405	30	F10
	80	280	433	96	43	30	425	35	F10
	100	300	502	120	52	45	480	40	F10
	125	325	612	145	80	68	570	55	F10
	150	350	676	170	100	85	650	80	F14
	200	400	820	220	140	118	770	140	F14
	250	450	969	270	233	216	810	210	F14
	300	500	1142	320	337	306	945	300	F16
	350	550	1280	366	515	461	1085	400	F16
	400	600	1452	417	645	576	1375	590	F25
	500	700	1676	518	947	773	1575	780	F25
	600	800	1864	620	1458	1208	1835	1280	F25
	700	900	2360	690	1953	1823	2360	2200	F25
	800	1000	2980	790	3100	2760	2980	2500	F30
	900	1100	3509	970	4860	4780	3150	3600	F35
1000	1200	3873	1071	5700	5600	3210	4700	F35	
PN	DN	L mm	H mm	V mm	Weight kg		H1 mm	Torque Nm	Top flange ISO 5210
					FL	BW			
25	50	250	358	70	22	20	365	25	F10
	65	270	375	83	32	26	405	30	F10
	80	280	433	96	39	35	425	35	F10
	100	300	502	120	51	44	480	50	F10
	125	325	608	145	79	69	570	70	F10
	150	350	676	170	90	80	650	100	F14
	200	400	820	220	150	126	770	180	F14
	250	450	969	270	250	211	810	290	F14
	300	500	1142	320	360	310	945	420	F16
	350	550	1270	366	562	506	1085	580	F16
	400	600	1435	417	696	613	1375	850	F25
	500	700	1594	512	1021	898	1575	1150	F25
	600	800	1964	614	1258	1007	1835	1900	F25
	700	900	2690	690	2080	1810	2690	2710	F25
	800	1000	3160	790	2960	2495	3160	3900	F25
	900	1100	3509	970	4860	4260	3150	5400	F35
1000	1200	3873	1071	5700	5000	3210	7000	F35	

PN	DN	L mm	H mm	V mm	Weight kg		H1 mm	Torque Nm	Top flange ISO 5210
					FL	BW			
40	50	250	397	70	30	25	370	30	F10
	65	290	453	83	38	40	410	40	F10
	80	310	496	96	52	50	450	50	F10
	100	350	568	120	78	70	540	75	F10
	125	400	608	145	92	95	640	110	F14
	150	450	700	170	136	135	715	180	F14
	200	550	848	220	249	215	852	300	F14
	250	650	1025	270	361	310	1014	470	F16
	300	750	1180	320	570	470	1165	730	F25
	350	850	1298	366	717	580	1235	1000	F25
	400	950	1435	417	956	740	1420	1280	F30
	500	1150	1960	512	1390	1000	1960	2000	F35
	600	1350	2265	614	1920	1580	2265	3400	F35
	63	50	250	418	70	42	35	370	35
65		280	465	83	48	50	410	50	F14
80		310	496	96	57	63	450	70	F14
100		350	582	120	93	81	540	110	F14
125		400	638	145	114	110	630	180	F14
150		450	718	170	198	160	715	260	F14
200		550	916	219	345	293	855	500	F16
250		650	1053	267	482	447	1015	820	F25
300		750	1203	318	588	535	1165	1250	F30
350		850	1278	356	869	690	1235	1500	F30
400		950	1457	404	1134	900	1420	2200	F30
500		1150	2100	493	1390	1130	2060	3400	F35
600		1350	2360	598	1920	1620	2300	6200	F35
PN		DN	L mm	H mm	V mm	Weight kg		H1 mm	Torque Nm
100	50	250	420	70	45	38	372	50	F10
	65	280	465	83	58	54	413	70	F10
	80	310	496	96	70	75	455	110	F14
	100	350	616	120	107	85	544	170	F14
	125	400	714	145	140	115	630	280	F14
	150	450	773	170	235	170	715	450	F16
	200	550	934	219	399	347	855	850	F25
	250	650	1090	267	613	513	1015	1450	F25
	300	750	1230	318	950	773	1165	1950	F30
	350	850	1330	356	1215	725	1235	2700	F30
	400	950	1480	404	1480	1102	1420	3600	F35
	500	1150	2200	493	1560	1260	2080	6300	F35
	600	1350	2480	598	2200	1780	2380	10000	F35