



Bellow Seal Globe/Gate Valve

BW,SW,NPT,Flanged

Type VC69

1/2" – 3"

Class150-1500LB

Data Sheet

Edition: ANSI 9 / 2014

© VCEN VALVE CO.,LTD.
Anfeng industrial zone, Oubei, Zhejiang, China
T: +86 67969666, F: +86 67988805
E: vcen@vcenvalve.com, W: www.vcenvalve.com

We focus on quality
www.vcenvalve.com

Application

- Designed for closing or throttling the liquid and gaseous medium
- **Fluids**
Water, steam, air, crude petroleum and petroleum products, natural gas, gas condensate, technological solutions, oxygen, liquid and non-aggressive gases
- **Industry**
Power engineering, chemical and petrochemical industry

Technical description

- Rising, non rotating stem
- Valve opening is provided slowly, with gradual suspension of the stroke, to prevent hydraulic and thermal shocks in the valve
- Shutt-off valves can be operated in position open-close, throttling valve can be operated also in an intermediate position

Testing

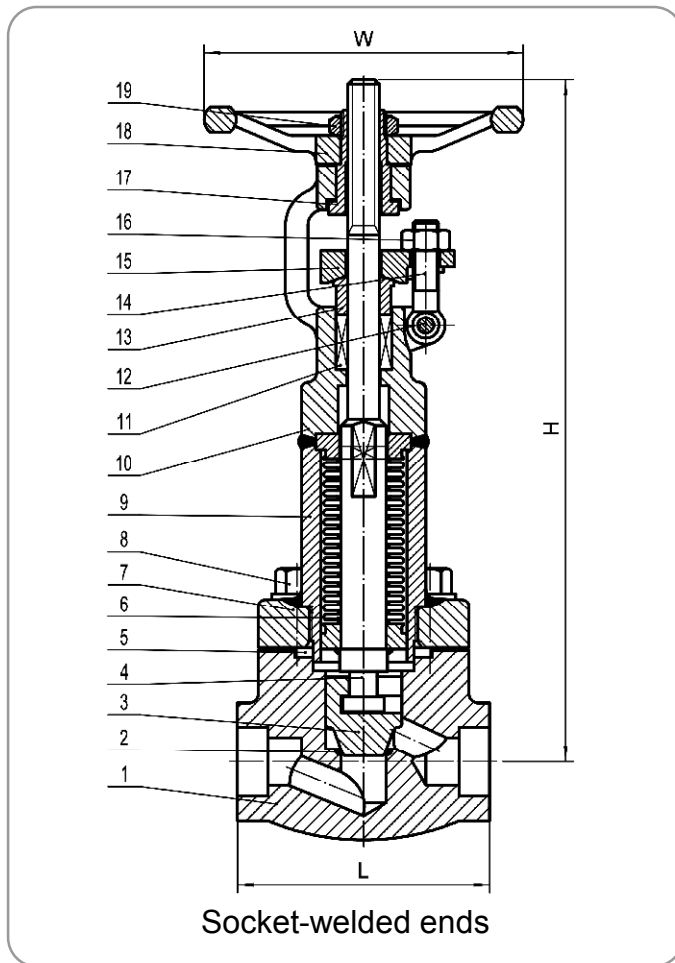
- The valves are pressure tested by water for strength and tightness in accordance with API598
Certification: PED/97/23/EC
shell test : nominal pressure (Class)X1.5
Tightness of seat : nominal pressure (Class)X1.1

Installation

- The valve should only be installed in horizontal lines in an upright position
- Direction of flow see body mark

Connection

- Butt-welded according to ANSI B16.25, Sock welded according to ANSI B16.11 flanged according to ANSI B16.5
- Design S.T.D : API 602
- Face to face dimensions according to ANSI B16.10
- End to end Dimensions to MFR'S STD.



Operation

- Hand wheel
- Electric actuator
- Flange ISO 5210 (ready for actuator)

Copyright

All rights reserved. No content provided herein may be copied, distributed or otherwise reproduced without previous written approval of the company YONGJIA VCEN VALVE CO.,LTD

© VCEN VALVE CO.,LTD CHINA 2014

Contact

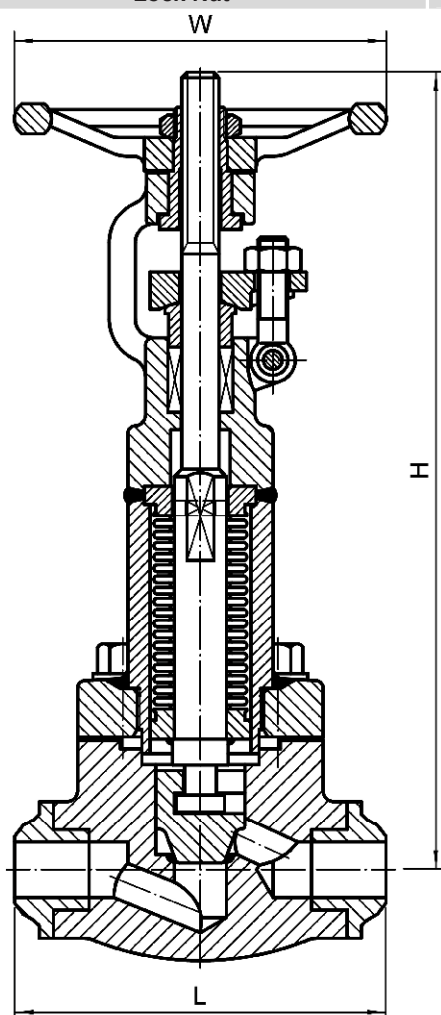
VCEN VALVE CO.,LTD
Anfeng Industrial Zone, Oubei Town, Yongjia County Wenzhou City, Zhejiang Province, China

T: +86 6796 9666
F: +86 6798 8805
E: vcen@vcenvalve.com
W: www.vcenvalve.com

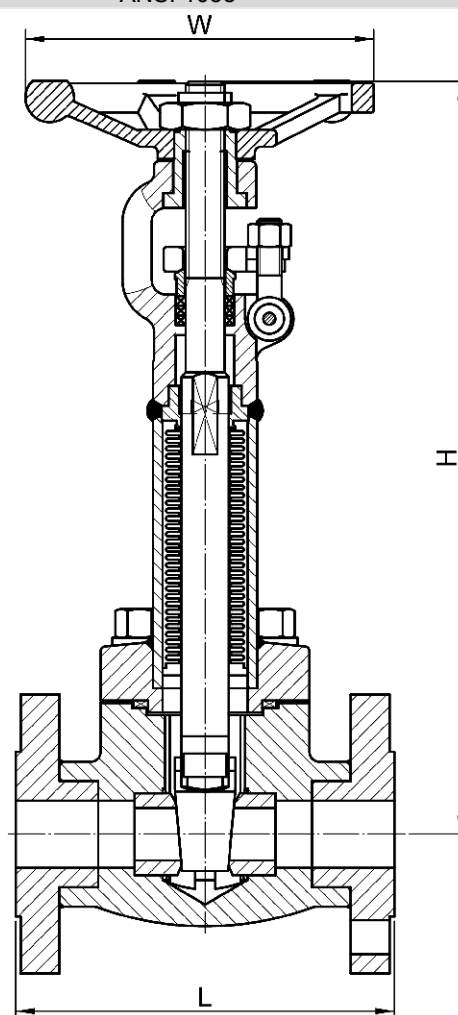


Materials of main parts

Pos.	Name	Material
1	Body	ASTM A105,A182 F304,A182 F316,A182 F11
2	Seat	13Cr, STL6
3	Disc	ANSI 410+QT ,F304 , F316
4	Bellows	SS304, SS316L
5	Gasket	Graphite +SS304
6	Stem	ANSI 410 ,A182 F304,A182 F316,A182 F11
7	Cover	ASTM A105,A182 F304,A182 F316,A182 F11
8	Blot	A193 B7,A193 B16,A193 B8M
9	Pipe	C.S,SS304,SS316
10	Yoke	ASTM A105,A182 F304,A182 F316,A182 F11
11	Packing	Graphite
12	Shaft	C.S,S.S
13	Gland flange	ASTM A105,A182 F304,A182 F316,A182 F11
14	Eyelet Blot	A193 B7, A193 B8,A193 B8M ,A193 B16
15	Gland	ASTM A105,A182 F304,A182 F316,A182 F11
16	Nut	A194 2H,A194 8, A194 8M ,A194 4
17	Stem nut	A276 410
18	Handwheel	A197
19	Lock Nut	ANSI 1035



Butt-welded ends



Flanged ends

IN		1/2"	3/4"	1"	1-1/4"	1-1/2"	2"
L(FL/BW) 150LB		Flange or butt-welding end to end design to ANSI B16.10 and ISO 5752					
L(FL/BW) 300LB							
L(FL/BW) 600LB							
L(FL/BW) 900LB and 1500LB							
L(SW/NPT) Globe valve 800LB		79	92	111	120	140	172
L(SW/NPT) Gate valve 800LB		79	92	111	120	120	140
H(Globe valve)	150LB	215	220	280	315	340	405
	300LB	215	220	280	315	340	405
	600LB	250	250	350	395	420	480
	900LB	350	350	400	450	510	750
	1500LB	350	350	400	450	510	750
H(Gate valve)	150LB	280	285	310	350	370	450
	300LB	280	285	310	350	370	450
	600LB	280	285	310	350	370	450
	900LB	380	380	420	480	550	800
	1500LB	380	380	420	480	550	800
W	150LB	100	100	125	160	160	180
	300LB	100	100	125	160	160	180
	600LB	100	100	125	160	160	180
	900LB	125	125	160	160	180	200
	1500LB	125	125	160	160	180	200