



## Long type bellow Seal Globe Valve

Butt-Welded, Flanged

Type VC68  
DN 15 – 400  
PN16-PN 40

### Data Sheet

Edition: EN 9 / 2014

© VCEN VALVE CO.,LTD.  
Anfeng industrial zone, Oubei, Zhejiang, China  
T: +86 67969666, F: +86 67988805  
E: [vcen@vcenvalve.com](mailto:vcen@vcenvalve.com), W: [www.vcenvalve.com](http://www.vcenvalve.com)

We focus on quality  
[www.vcenvalve.com](http://www.vcenvalve.com)

### Application

- Designed for closing or throttling the liquid and gaseous medium
- **Fluids**  
Water, steam, air, crude petroleum and petroleum products, natural gas, gas condensate, technological solutions, oxygen, liquid and non-aggressive gases
- **Industry**  
Power engineering, chemical and petrochemical industry

### Technical innovation

- Non-rising handwheel, rising stem.
- The necessary of bellows number of plies effective guarantee service life of the valve
- The valve can be designed with guiding disc, so the valve can used at vertical installation. If you want to regulate the medium flow, you can control the opening areas of guidance rib.
- The design of guide gasket strengthens the inflexibility of stem, avoids the fluttering phenomenon when medium passing by and improve the service life of bellows.
- As the secondary sealing device, flexible graphite sealing avoids medium leakage temporarily when bellows is damaged.
- The design of stop block ensures stem stroke strictly, protects bellows from out-of-stroke deformation, and ensures the service life of bellows

### Testing

- The valves are pressure tested by water for strength and tightness in accordance with EN-12266  
Certification: PED/97/23/EC  
shell test : nominal pressure (PN)X1.5  
Tightness of seat : nominal pressure (PN)X1.1

### Installation

- The valve should only be installed in horizontal lines in an upright position
- Direction of flow see body mark

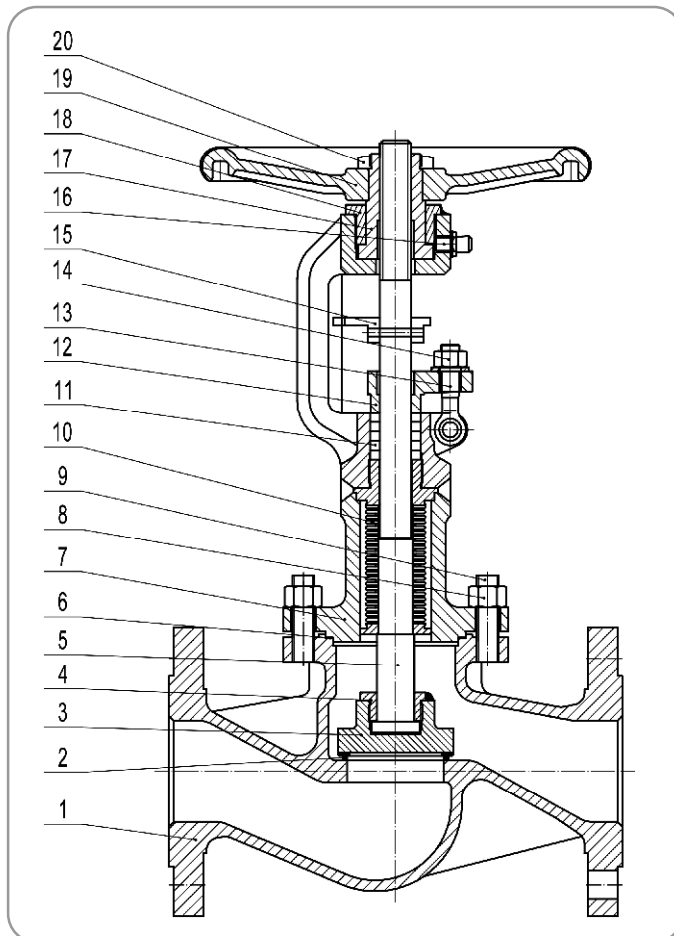
### Connection

- Butt-welded according to EN-12627, flanged according to EN1092-1 or to customer request
- Face to face dimensions according to EN-558-1

### Copyright

All rights reserved. No content provided herein may be copied, distributed or otherwise reproduced without previous written approval of the company  
YONGJIA VCEN VALVE CO.,LTD

© VCEN VALVE CO.,LTD CHINA 2014



### Operation

- Hand wheel
- Electric actuator
- Gear box
- Flange ISO 5210 (ready for actuator)

### Contact

**VCEN VALVE CO.,LTD**  
Anfeng Industrial Zone, Oubei Town, Yongjia County Wenzhou City, Zhejiang Province, China

T: +86 6796 9666  
F: +86 6798 8805  
E: [vcen@vcenvalve.com](mailto:vcen@vcenvalve.com)  
W: [www.vcenvalve.com](http://www.vcenvalve.com)



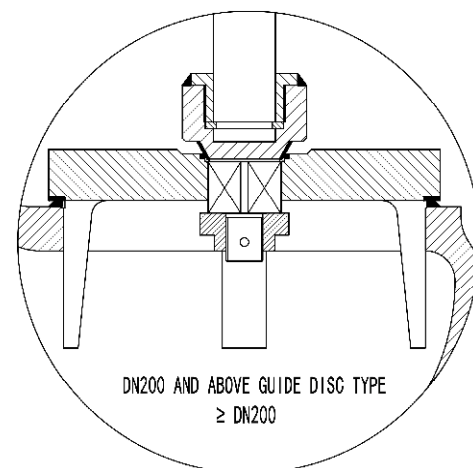
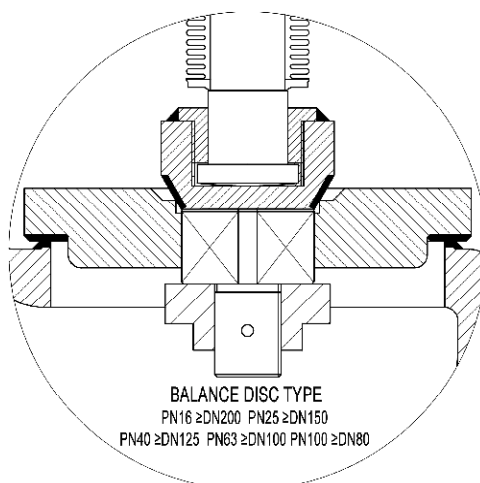
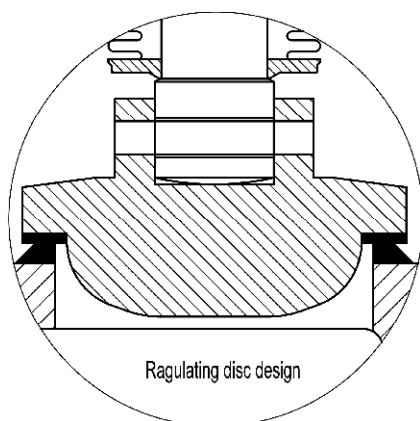
**Materials of main parts**

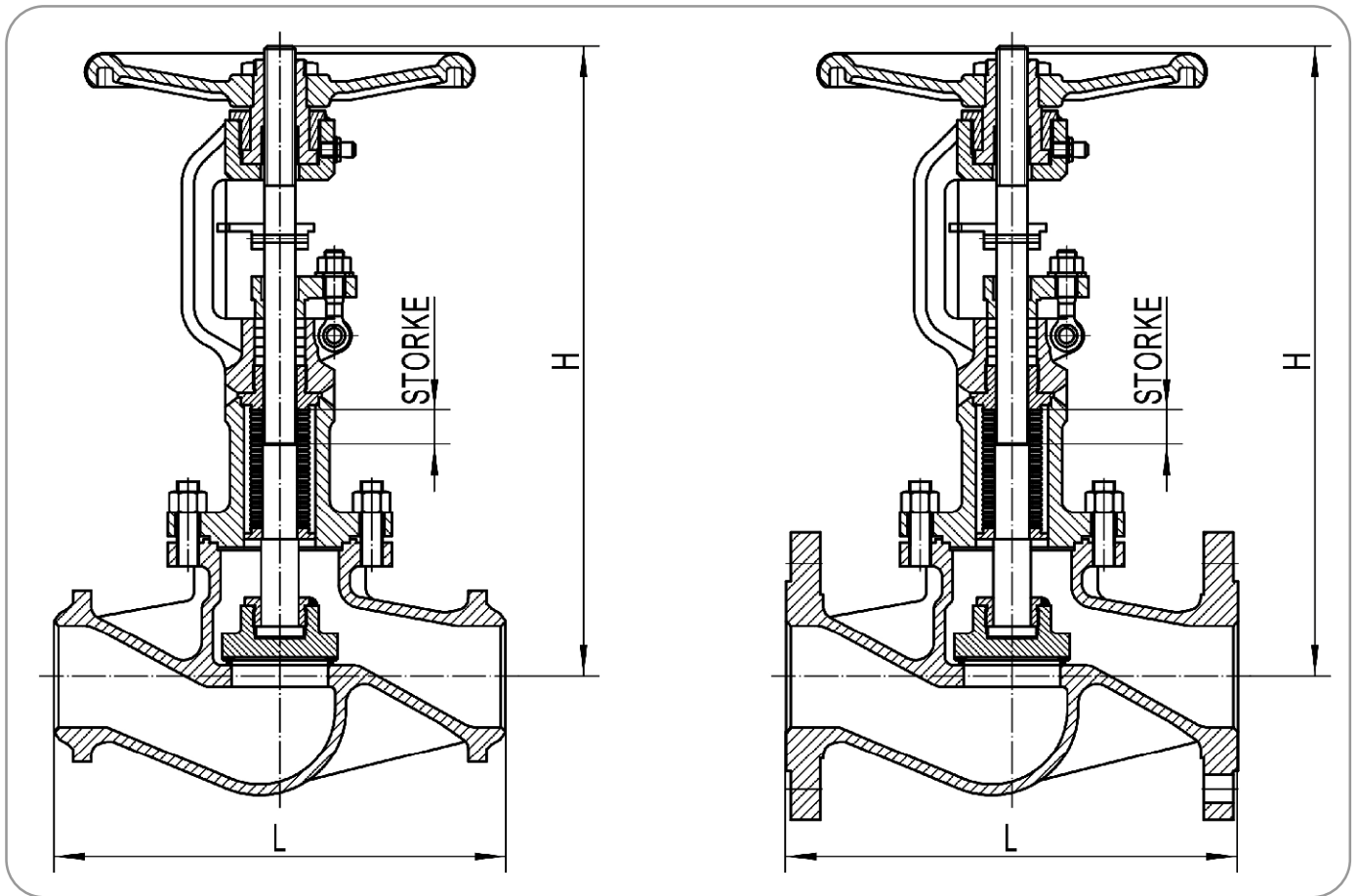
Pos.	Name	Material
1	Body	1.0619 (A216 WCB), 1.7357 (A217 WC6), 1.4408 (A351 CF8M)
2	Seat	13Cr, STL6
3	Disc	X20Cr13+QT ,A105,F316
4	Disc screw	C.S,S,S
5	Stem	X20Cr13, F316,
6	Gasket	Graphite + stainless steel
7	Bonnet	1.0619 (A216 WCB), 1.7357 (A217 WC6), 1.4408 (A351 CF8M)
8	Blot	A193 B7,A193 B16,A193 B8M
9	Nut	A194 2H,A194 4,A194 8M
10	Bellows	SS304, SS316L
11	Packing	Graphite
12	Gland	1.0619 (A216 WCB), 1.7357 (A217 WC6), 1.4408 (A351 CF8M)
13	Nut	A194 2H,A194 4,A194 8M
14	Eyelet bolt	A193 B7,A193 B16,A193 B8M
15	No rot. Device	A105,F304
16	Grease nipple	Cu alloy
17	Stem nut	GGG40.3;Cu alloy
18	Screw	C.S
19	Handwheel	Steel
20	Lock Nut	C.S

**P-T data**

Material	PN	Pracovní tlak MPa / Pracovní teplota °C													
		100	150	200	250	300	350	400	425	450	500	525	550	575	595
1.0619 (A216 WCB)	16	1.36	1.27	1.14	1.04	0.94	0.88	0.84	-	-	-	-	-	-	-
	25	2.13	1.98	1.78	1.62	1.47	1.37	1.32	-	-	-	-	-	-	-
	40	3.41	3.17	2.84	2.60	2.35	2.19	2.11	-	-	-	-	-	-	-
1.4408 (A351 CF8M)	16	1,33	1,2	1,1	1,02	0,96	0,91	0,87	0,86	0,86	0,83	-	-	-	-
	25	2,07	1,87	1,72	1,6	1,5	1,42	1,36	1,35	1,34	1,3	-	-	-	-
	40	3,32	2,99	2,75	2,56	2,41	2,27	2,18	2,16	2,14	2,08	-	-	-	-
1.7357 (A217 WC6)	16	1,63	1,58	1,49	1,43	1,33	1,23	1,15	1,11	1,07	0,89	0,68	0,35	0,28	0,2
	25	2,54	2,48	2,33	2,23	2,08	1,93	1,8	1,73	1,67	1,39	1,06	0,55	0,43	0,32
	40	4,07	3,96	3,74	3,57	3,33	3,09	2,89	2,77	2,67	2,23	1,7	0,88	0,69	0,52

Note: the temperature not listed in the table is selected by linear interpolation method

**Disc type**




DN	15	20	25	32	40	50	65	80	100	125	150	200	250	300	350	400	
L	130	150	160	180	200	230	290	310	350	400	480	600	730	850	980	1100	
H	275	280	290	300	340	350	410	455	505	610	700	770	945	1080	1185	1360	
STORKE	8	8	10	10	15	18	22	25	30	40	50	60	80	90	105	115	
Weight	PN16	5	5.5	6.5	8.5	11.5	14	20	26	44	63	112	195	330	450	660	880
	(kg)	PN25	5	5.5	6.5	8.5	11.5	14.5	23	30	48	70	121	220	350	475	690
FL	PN40	5	5.5	6.5	8.5	11.5	14.5	23	30	48	70	121	230	370	495	710	990
	Weight	PN16	3.4	3.7	4.5	5.5	7.4	9	16	20	34	50	95	185	295	390	580
(kg)	PN25	3.4	3.7	4.5	5.5	7.4	9	16	20	34	50	95	200	300	415	600	870
	BW	PN40	3.4	3.7	4.5	5.5	7.4	9	16	20	34	50	95	200	300	415	600
Kv		4.2	7.4	12	19	30	47	77	120	188	288	410	725	1145	1635	2225	2906